

Male stud connectors

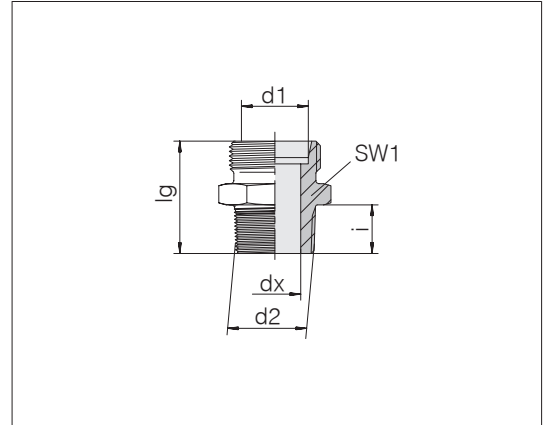
Male thread: NPT thread, tapered

Threaded stud: ASME B1.20.1

Sealing type: Tapered thread

Sealing material: e.g. PTFE sealing tape

Tube coupling: 24° in acc. with ISO 8434-1



Series	d2	Pressure	dx	lg	SW1	i	kg/100 ca.	Order-No.	Designation
Tube OD d1									
LL 4	1/8 NPT	PN 100	4	21.9	11	6.7	0.9	0705002000	24-SDS-LL4-N1/8T ¹⁾
LL 6	1/8 NPT	PN 100	6	21.9	11	6.7	0.9	0705102000	24-SDS-LL6-N1/8T ¹⁾
LL 8	1/8 NPT	PN 100	8	23.9	12	6.7	1.0	0705152000	24-SDS-LL8-N1/8T ¹⁾
L 6	1/8 NPT	PN 315	6	23.9	12	6.7	1.2	0706002000	24-SDS-L6-N1/8T ¹⁾
L 6	1/4 NPT	PN 315	6	30	17	10.2	2.6	0706022000	24-SDS-L6-N1/4T ¹⁾
L 8	1/8 NPT	PN 315	8	24.9	14	6.7	1.5	0706062000	24-SDS-L8-N1/8T ¹⁾
L 8	1/4 NPT	PN 315	8	30.1	17	10.2	2.5	0706052000	24-SDS-L8-N1/4T ¹⁾
L 8	3/8 NPT	PN 315	8	31.2	19	10.4	3.9	0706072000	24-SDS-L8-N3/8T ¹⁾
L 8	1/2 NPT	PN 315	6	35.8	24	13.6	7.1	0706082000	24-SDS-L8-N1/2T ¹⁾
L 10	1/8 NPT	PN 315	10	27	17	6.7	2.3	0706112000	24-SDS-L10-N1/8T ¹⁾
L 10	1/4 NPT	PN 315	10	31.1	17	10.2	2.5	0706102000	24-SDS-L10-N1/4T ¹⁾
L 10	3/8 NPT	PN 315	10	32.2	19	10.4	3.7	0706122000	24-SDS-L10-N3/8T ¹⁾
L 10	1/2 NPT	PN 315	10	37.8	24	13.6	7.2	0706132000	24-SDS-L10-N1/2T ¹⁾
L 12	1/4 NPT	PN 315	12	32	19	10.2	3.2	0706162000	24-SDS-L12-N1/4T ¹⁾
L 12	3/8 NPT	PN 315	12	32.2	19	10.4	3.6	0706152000	24-SDS-L12-N3/8T ¹⁾
L 12	1/2 NPT	PN 315	12	36.8	24	13.6	6.4	0706172000	24-SDS-L12-N1/2T ¹⁾
L 15	3/8 NPT	PN 315	15	33.2	24	10.4	5.2	0706212000	24-SDS-L15-N3/8T ¹⁾
L 15	1/2 NPT	PN 315	15	37.8	24	13.6	6.8	0706202000	24-SDS-L15-N1/2T ¹⁾
L 18	3/8 NPT	PN 315	9	34.2	27	10.4	8.0	0706262000	24-SDS-L18-N3/8T ¹⁾
L 18	1/2 NPT	PN 315	18	38.8	27	13.6	7.2	0706252000	24-SDS-L18-N1/2T ¹⁾
L 18	3/4 NPT	PN 160	18	39.1	30	13.9	9.1	0706272000	24-SDS-L18-N3/4T ¹⁾
L 22	1/2 NPT	PN 160	22	40.8	32	13.6	9.9	0706312000	24-SDS-L22-N1/2T ¹⁾
L 22	3/4 NPT	PN 160	22	41.1	32	19.9	10.1	0706302000	24-SDS-L22-N3/4T ¹⁾
L 28	1 NPT	PN 160	28	47	41	17.3	17.2	0706352000	24-SDS-L28-N1T ¹⁾
L 35	1 1/4 NPT	PN 160	35	50.6	46	18	25.6	0706402000	24-SDS-L35-N11/4T ¹⁾
L 42	1 1/2 NPT	PN 160	42	53	55	18.4	35.2	0706452000	24-SDS-L42-N11/2T ¹⁾

¹⁾ Standard size

Threaded stud NPT in acc. with ASME are approved for use for gas supply in acc. with DIN 3387-1.

Example for comp.: GE06L1/8NPTX